

2016



SPONSORSHIP & EXHIBIT OPPORTUNITIES

South Florida HIMSS Fall Event: IntegraTe 2016

The 2015 IntegraTe Conference was a big success bringing 400 healthcare professionals together to hear compelling education topics geared towards executives in the Healthcare IT & Finance Landscape, to learn about all the latest technology and services available in this arena and to network with peers in this ever-changing field. This years' event is going to be even more exciting so don't miss out on this exciting opportunity to be involved.

% of Attendees that are IT Decision Makers with Titles Including:

- ▶ COO
- ▶ CFO
- ▶ CIO
- ▶ CMIO
- ▶ CNIO
- ▶ CCIO
- ▶ Director of Nursing/ Clinical Informatics
- ▶ Director, Information Technology
- ▶ Director, IT
- ▶ Regional Vice President
- ▶ Sr VP of CIO Services
- ▶ Sr. VP of Business Development
- ▶ Systems Analyst
- ▶ Team Lead, Clinical Systems Analyst
- ▶ VP



November 15, 2016
7:30 am - 5:00 pm
Signature Grand
Davie, Florida

To secure your spot at this exciting event, contact:
gina@demarsemeetings.com

or [CLICK HERE](#)

% of Attendees are from Provider Organizations. Including:



- ▶ Aria Health
- ▶ Bethesda Health
- ▶ Baptist Health
- ▶ Baptist Health South Florida
- ▶ Boca Raton Regional Hospital
- ▶ Broward Health
- ▶ Cleveland Clinic
- ▶ Cleveland Clinic, Florida
- ▶ DaVita Healthcare Partners
- ▶ Essence Healthcare
- ▶ FAU College of Medicine
- ▶ FIU Health
- ▶ Flagler Hospital
- ▶ Florida Department of Health in Miami-Dade County
- ▶ Florida International University College of Medicine
- ▶ Gastro Health
- ▶ Halifax Health
- ▶ HCA
- ▶ Health Care District of Palm Beach County
- ▶ Health Choice Network
- ▶ HealthFirst Hospital (FL)
- ▶ HealthSun Health Plans, Inc.
- ▶ Indian River Medical Center
- ▶ Holy Cross Hospital
- ▶ Jackson Health System
- ▶ Jackson Memorial Hospital
- ▶ JSA Healthcare
- ▶ Jupiter Medical Center
- ▶ Kaiser Permanente
- ▶ Lee Memorial
- ▶ Leon Medical Centers
- ▶ Memorial Healthcare System
- ▶ Miami Children's Hospital
- ▶ Miami Jewish Health Systems, Inc.
- ▶ Mount Sinai Medical Center
- ▶ Nova Southeastern University
- ▶ Saint Joseph's Hospital North
- ▶ Sarasota Memorial
- ▶ Shell Point
- ▶ University of Miami
- ▶ USF Health
- ▶ Vitas Healthcare

South Florida HIMSS Fall Event: IntegraTe 2016

PARTNERING SPONSOR (Limit 6)

\$6,000 - IntegraTe Sponsor
\$5,000 - SFLHIMSS Current Annual Sponsor

- > 10x20 booth in prominent location of "Converge Central" (15,000 sf exhibit hall)
- > Full page color ad in event program
- > 4 complimentary exhibit passes
- > Prominent logo placement on all on-site signage
- > Prominent logo placement on all promotional material
- > Prominent logo placement on the event page on the SFLHIMSS website
- > 250 word description of your organization listed on the website under sponsors
- > Logo link to your website
- > Logo scrolling on screens in "Converge Central" when screens are not in use during presentation

November 15, 2016
7:30 am - 5:00 pm
Signature Grand
Davie, Florida

EXHIBITOR (Limit 33)

\$2,000 - IntegraTe Sponsor
\$1,500 - SFLHIMSS Current Annual Sponsor

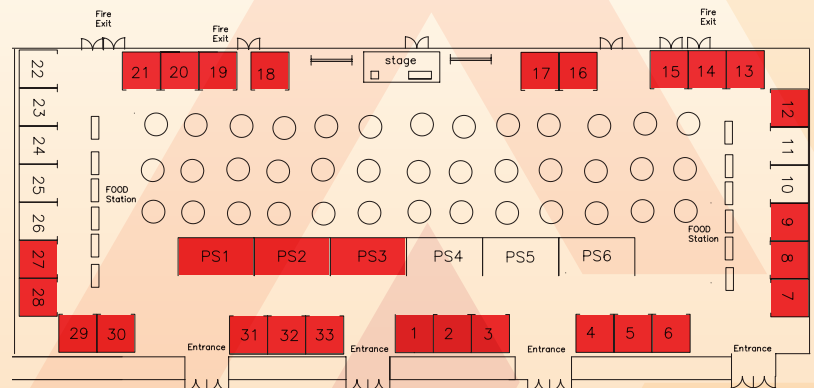
- > 10x10 booth in "Converge Central" (15,000 sf exhibit hall)
- > Company listing in the event program
- > 2 complimentary exhibit passes
- > Logo listed on the event page on the SFLHIMSS website

- ▶ Converge Central, our 15,000 sf Exhibit Hall, has been designed to include a limited number of exhibit booths with more space to encourage greater opportunity for networking, increase traffic in each trade booth, and spark provider interest in the main stage speaker presentations
- ▶ The agenda includes a mix of education sessions, panel discussions and exhibit only time for attendees to network with our featured vendors

OTHER OPPORTUNITIES

Additional Sponsorship Opportunities:

- > Conference Bags \$1,500
- > Name Badge Holders \$1,500
- > Speaker Dinner \$3,000
- > Conference Wifi \$3,000
- > Charging Station \$2,500
- > Break Sponsor \$1,500
- > Breakfast Sponsor \$2,500
- > Lunch Sponsor \$2,500
- > Networking Reception Sponsor (2) \$2,500



Secure Your Spot

Converge Central Exhibit Opportunities

Exhibitors Booths 1 – 33
 Partnering Sponsor Booths PS1 – PS6

To secure your spot at this exciting event, contact:
gina@demarsemeetings.com

or **CLICK HERE**